

20mm Project Pixel Light Technical parameters:



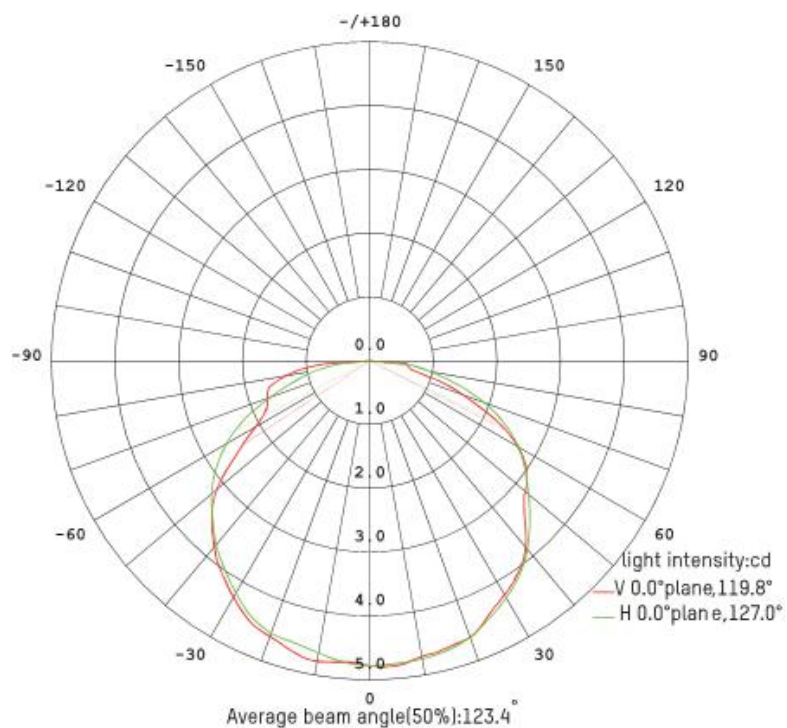
Product Data sheet		Product Protection Parameters	
Product Model	XQD-D202-YX	Waterproof Level	IP67
Product Size	Φ19.8mm*12.5mm	Shell Flame Retardation	V-0
Shell Flame Retardation	Indoor/ Outdoor	UV Resistance Level	4
Product Weight	≈7g	Salt Spray Test	Salt Spray Resistance
Shell Material	PC Material	Impact Resistance	IK10
Maximum Number	150PCS/string	Electrical Safety Level	III
Center Distance	Minimum 5CM	Safety Certificate	CE FCC RoHS
Product Life Expectancy	50000 hours	Operating Temperature	-40°C-55°C
Optional Accessories	Aluminum Trough	Cover	Frosted / Transparent
Wire Core	4x0.25mm ²	Qty of wire	DMX512 ⇒ 4C
Wire Material	PVC		SPI ⇒ 4C
PCB Material	FR-4 Glass Fiberboard		
Product Optical Parameters		Product Electrical Parameters	
LED Color	RGB	Operating voltage	DC12V
Beam Angle	120°	Rated power	0.3W
Color Resolution	3*16bit	Supporting system	
Lamp Beads	SMD3535*1LED	Control System	DMX512 /SPI (IC 1908)
Luminous flux	6lm	Power system	DC12V Constant Voltage
Brightness	2cd		



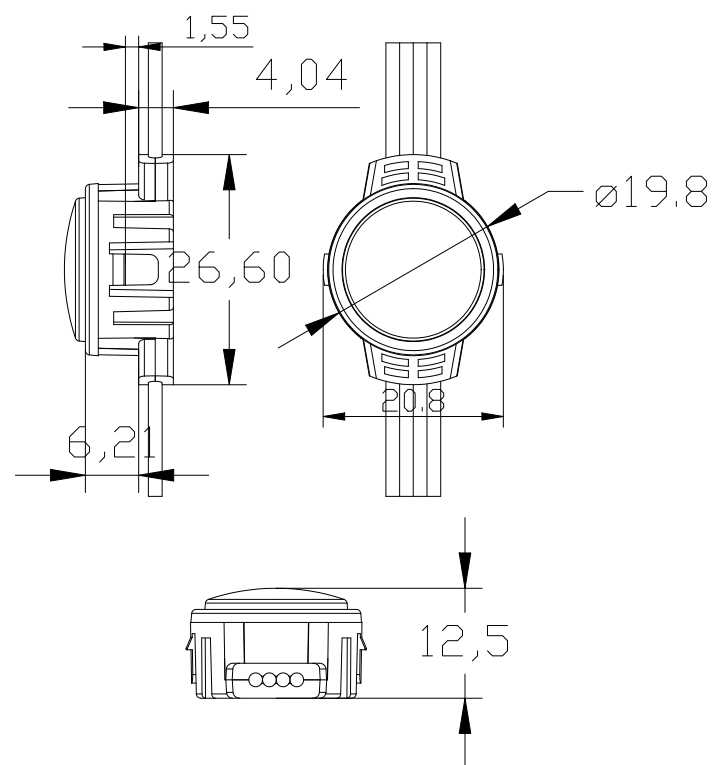
Product feature:

1. Adapt Full-encapsulation protection structure on the front face, good heat dissipation, high protection level;
2. Waterproof outdoor lamp beads, Pure color, good stability;
3. UV resistance, small size, exquisite appearance, universal use indoor and outdoor;
4. It can be used for large and medium-sized advertising signs, large area display of building facades, contour grooves, and interior and exterior surface decoration.

Distribution flux

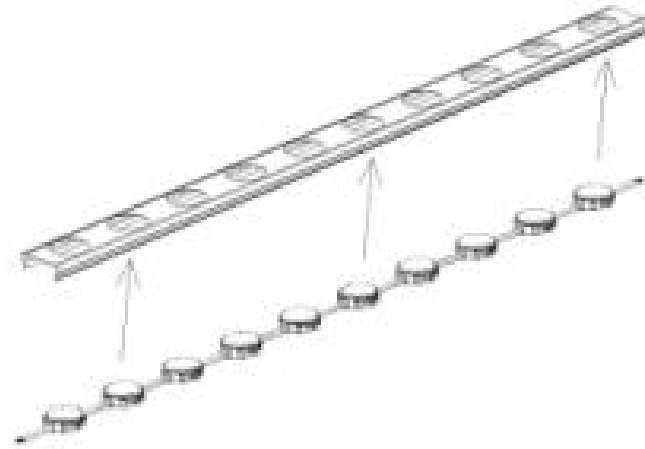


Product Size

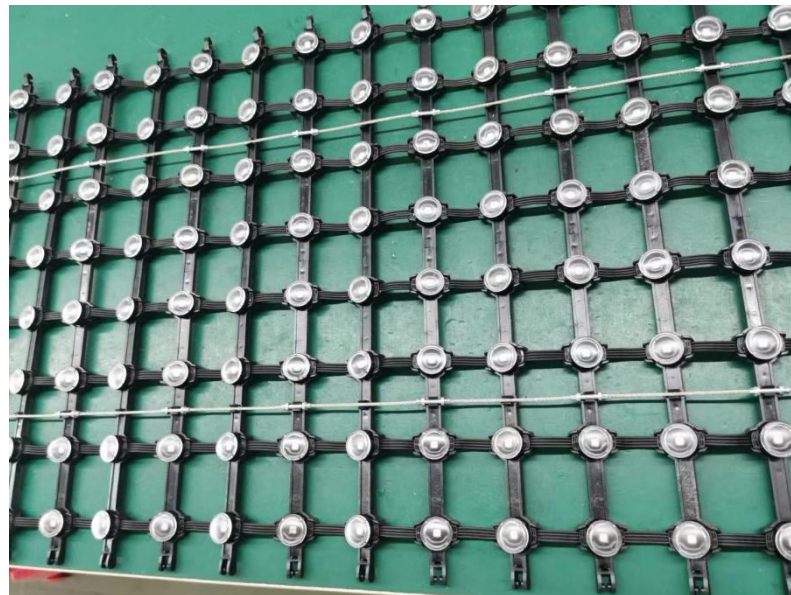


Installation Accessories

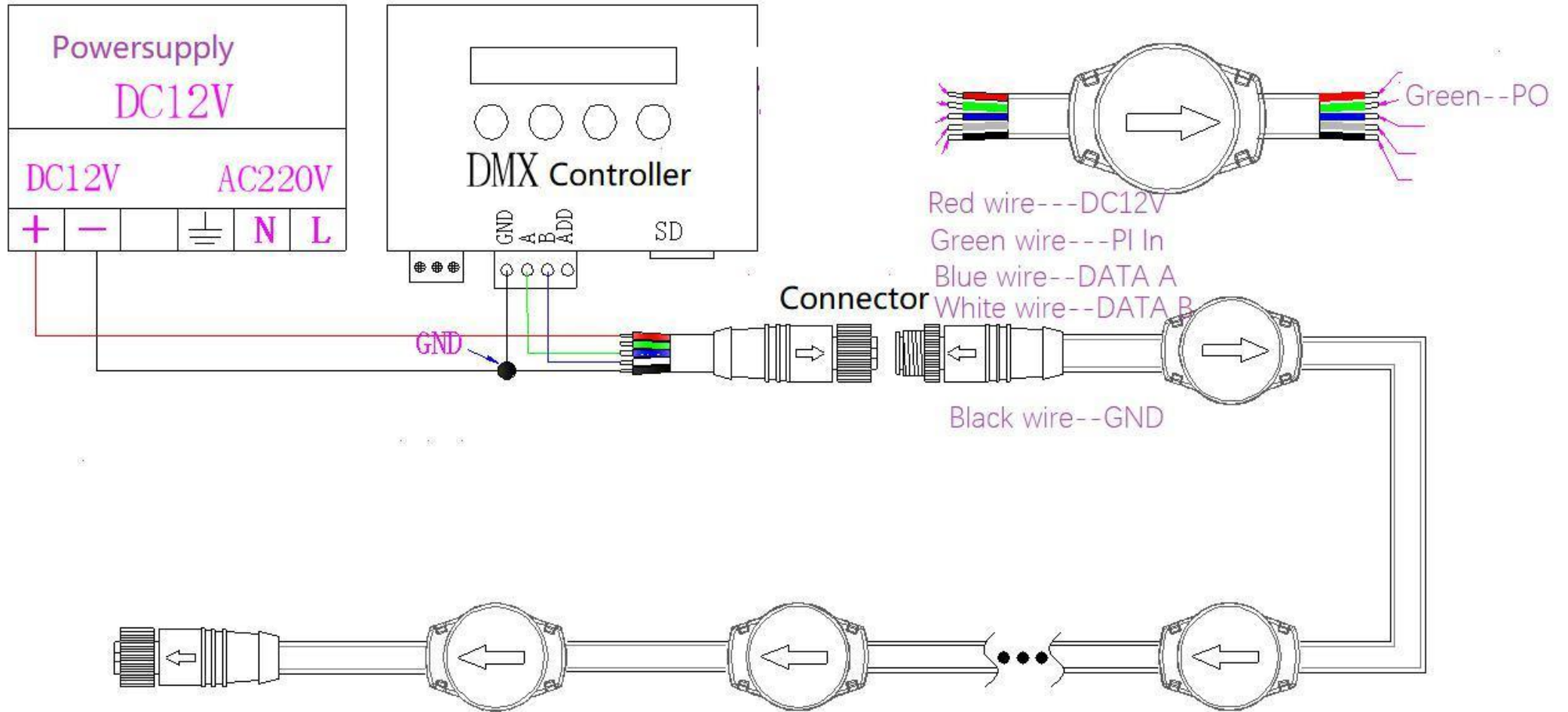
Aluminum Trough



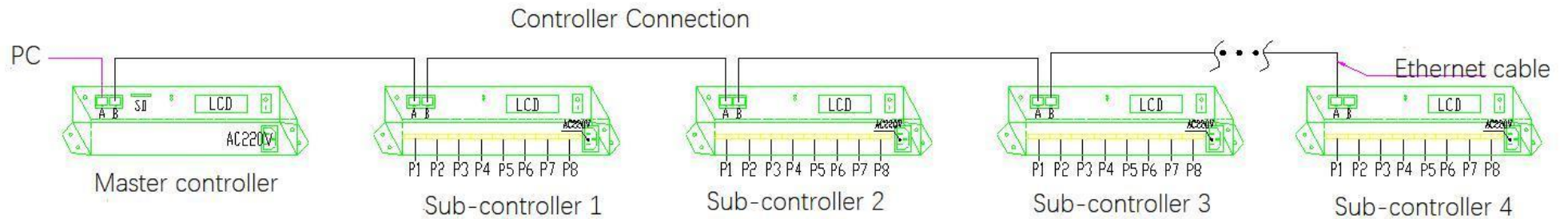
Installation Way: Aluminum Trough



Installation Connection



Controller Connection



***1) Controller connect controller with 568 b ,controller to computer with 568 b .Between the controller and the controller cable length is less than 80 meters, all of the total share of connection cable length is not more than 500 meters, if more than this distance is connected by optical fiber.

2) The number of light points of each signal load should be controlled within 340 points (RGB)

3) Wire pressing: face the metal strip of the crystal head on one side and the shrapnel of the crystal head on the other side towards the palm. The order of wire pressing from left to right is as follows:

--568A: green white green orange white blue blue white orange brown white brown

--568B: orange white orange green white blue blue white green brown white brown

